

BAG IN BOX Made In Japan

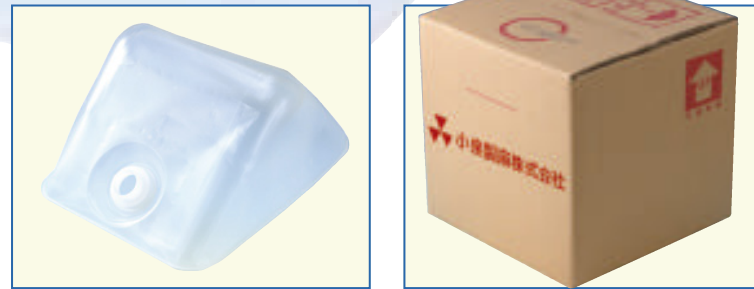
Flexible Molded **BIB**

Baron C

(Polyethylene type)

Baron C- α

(High barrier type)



A wide variety of sizes and capacities to meet any demands.

■ Standard specifications [Baron box]

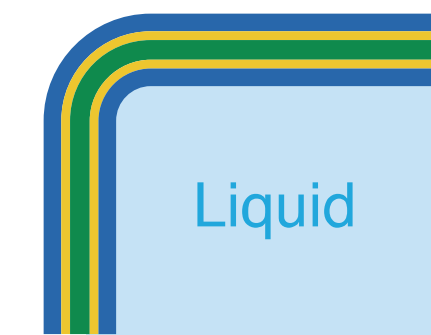
Capacity (ℓ)	Configuration	Inner diameter d(mm)	Dimensions a×b×c(mm)	Quantity	Package size(mm)
20	Blow molding	Φ32	285×285×H285	50	770×700×325
18			275×275×H275		
10			230×230×H230	100	646×646×520
5			190×190×H190		

■ Configuration

Baron C

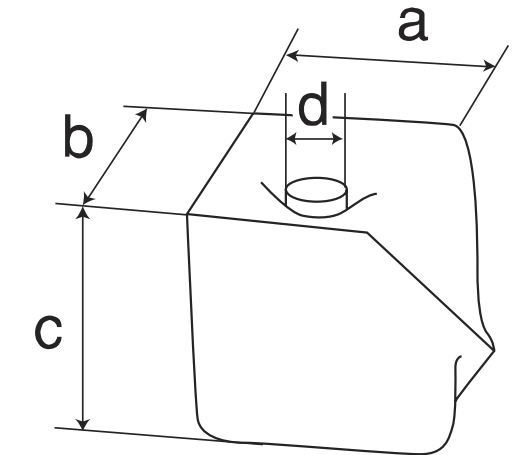


Baron C- α



- PE layer
- Adhesive layer
- Barrier layer
- ※ EVOH is used.

■ External dimensions



- Excellent chemical resistance, pinhole resistance, and drop strength.

- Inspected with 100% leak testing in line.

Accessories



Tap Ø9mm (general type)



Jumbo Tap Ø19mm (for high viscosity liquid)



Maxi Tap Ø18mm (drip prevention type for high viscosity liquid)



Screw Nozzle Ø17mm (cap type)



One-touch Nozzle Ø17mm (insertion type)



Gas Venting Cap

BAG IN BOX can be used for a wide range of products.

FOOD sector

- SAUCES (SOY SAUCES, etc)
- VINEGAR
- COOKING OIL
- SEASONING
- SOUPS
- DRESSING
- GRAVY
- FOOD ADDITIVES
- SPICES
- LACTIC ACID
- LIQUID SUGAR
- SAKE
- SPIRITS
- FRUIT WINE
- FRUIT JUICE

CHEMICAL sector

- DETERGENT
- BATTERY FLUID
- ADHESIVE
- LIQUID FERTILIZER
- UREA
- WATER BASED PAINT
- SHAMPOO
- ANTI-FREEZE AGENT

OTHERS

- In emergency and in leisure, as storage.
- In construction site, as weight with water.

